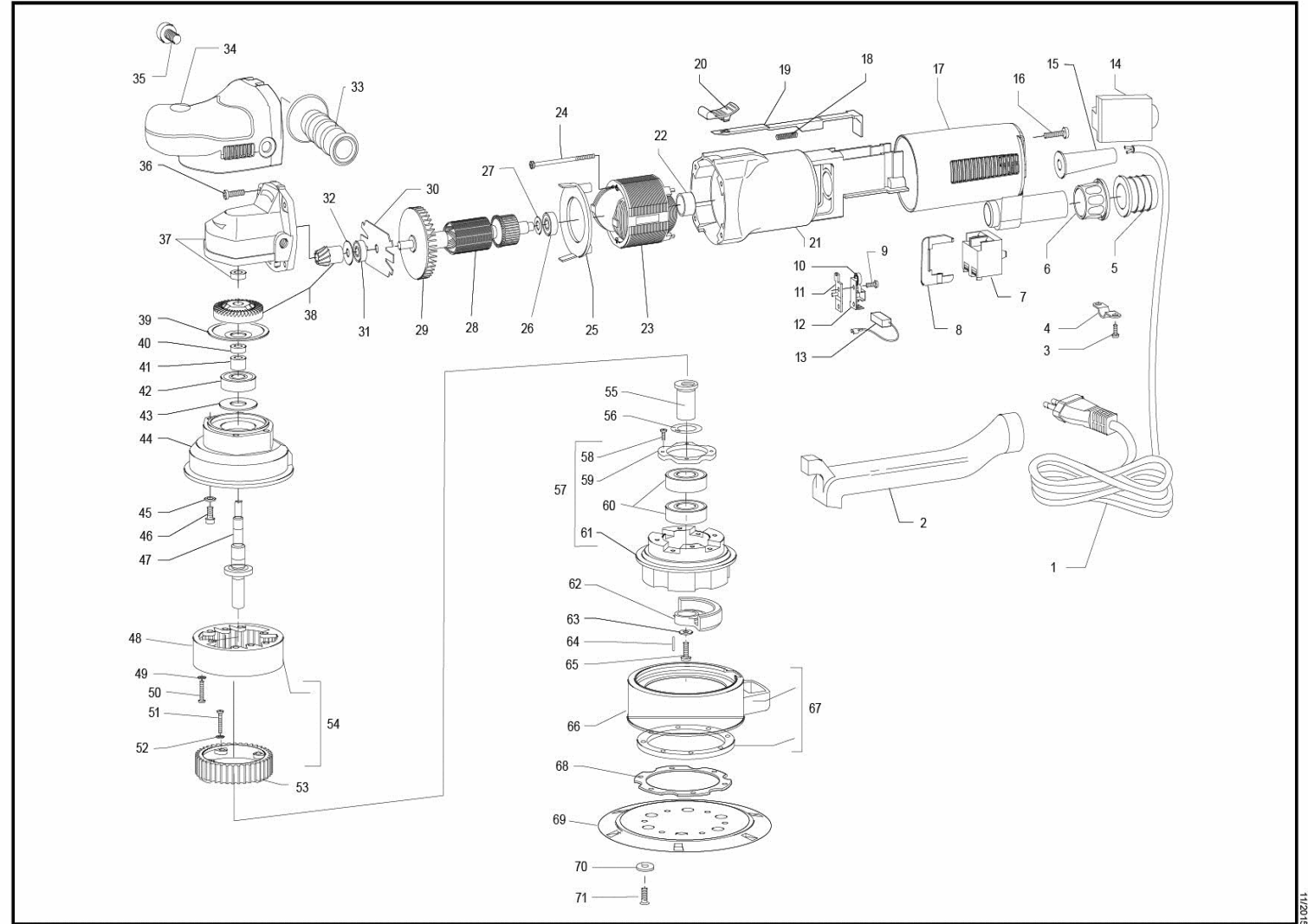


LEVIGATRICE ROTOECCENTRICA PLANETARY SANDER

EK150AES



ID	ITEM	DESCRIPTION
001	9C2X1,0N485FOR	CAVO 2x1 (spina Schuko d4,8) mt.5 H05RN-F con forchetta
001	9C2X1,0NAU5FOR	CABLE 2X1 (plug Australia) H07RN-F mt.5
001	9C2X1,0R404FOR	CABLE 2X1 (plug D4) H07RN-F mt.4 with fork (only Swiss)
001	9C2X1,25VJA5	CABLE 2x1,25 (plug JAPAN) mt.5
001	9C2X1,5V003FOR	CABLE 2X1,5 (without plug) mt.3,50 with fork
002	67.201	SUCTION PIPE
003	9.660	SCREW 3,9x16 (7x5/8") T.C.C.
004	444.14	CABLE CLAMP NYLON
005	663.033	FILLER CONNECTOR
006	653.150	VACUUM REGULATION
007	45.210	SWITCH
008	382.247	SWITCH SEPARATOR
009	9.551	SCREW 2,9x13 (4x1/2") T.C.C.
010	461.105	SPRING BRUSH HOLDER BA21 BURNISHED
011	462.105	BRUSH HOLDER PLATE
012	46.105	BRUSH HOLDER BA215-LH18ENS
013	47.105/10	BLISTER WITH 10 PC. BRUSHES BA215
014	400.278	ELECTRONIC MODULE
014	400.251/110	ELECTRONIC MODULE 50-60HZ
015	42.105	CABLE SLEEVE BA21-BR51
016	9.660	SCREW 3,9x16 (7x5/8") T.C.C.
017	44.249	BACK MOTOR BODY WITH DUST EXTRACTION
018	75.105	SPRING
019	38.247	BEAM SWITCH
020	381.247	RUBBER BUTTON ON/OFF
021	31.247	MOTOR BODY
022	268.105	BEARING CAP
023	2.118/230	STATOR (V.230)
023	2.118/110	STATOR (V.110)
024	9.570	SCREW 2,9x60 (4x2"3/8)T.C.C.
025	73.105	AIR BULKHEAD
026	9.14/10	BEARING 626ZZ1MC3E J NS7SQ
027	9.318	STEEL WASHER d15 x 6,1 s 0,15
028	1.116/100	ROTOR (V.100)
028	1.116/220	ROTOR (V.220-240)
029	15.289	FAN
030	351.105	MOTOR BODY LITTLE COVER
031	9.17/10	BEARING 629 ZZ-C3
032	9.218	STEEL WASHER d20 x 8,1 SP 0,1
033	811.13	HANDLE
034	81.289	HANDLE CAP
035	812.91	SCREW M8 x 15 T.C.IN NYLON A T.
036	9.679	SCREW 4,2x25 (8x1") T.C.C.
037	32.252/C	COMPLETE GEAR BOX
038	50.106	GEAR SET
039	35.105	FLANGE PLATE BA21-SL41
040	54.116	SPACER
041	541.116	SPACER
042	9.99/10	BEARING NSK 6201 DDUCM D EA3S6
043	9.314	STEEL WASHER d31,9 x 26 s 0,1
044	33.116	FLANGE
045	9.329	TOOTHED WASHER
046	9.628	SCREW M4 x 35 T.G.S. BURNISHED
047	51.278	STEEL ECC. SPINDLE SHAFT
049	9.211	NIKEL WASHER d 4x8 sp 0,5
050	9.624	SCREW M4 x 10 T.C.C. BURNISHED

ID	ITEM	DESCRIPTION
051	9.624	SCREW M4 x 10 T.C.C. BURNISHED
052	9.211	NIKEL WASHER d 4x8 sp 0,5
054	521.090/C	GEAR FOR FLANGE/CUP
055	56.278	ECCENTRIC 2.4 EK150AE
056	9.347	STEEL WASHER d28 x17,1 s 0,3
057	331.278/C	COMPLETE GEAR CUP
060	9.143/10	BEARING NSK 6203 DDUC3E D EA3S6
062	57.278	COUNTERWEIGHT
063	9.208	WASHER 5x12
064	9.518	ELASTIC PLUG d 3,5x8 DIN 1481
065	9.616	SCREW M5 x 14 TC + C/D STEEL 8.8 T.P.
067	65.278/C	SUCTION SHROUD COMPLETE EK150AE
068	68.252	WASHER Flexoid Ø81x62x1 C/F. 6 + slots
069	981.100	Ø 150mm PAD VELCRO 6+1 HOLES FOR PLANETARY SANDERS
070	9.328	TOOTHED WASHER
071	9.614	SCRE M4 x 12 T.C.C. d7,7 BRN 8.8