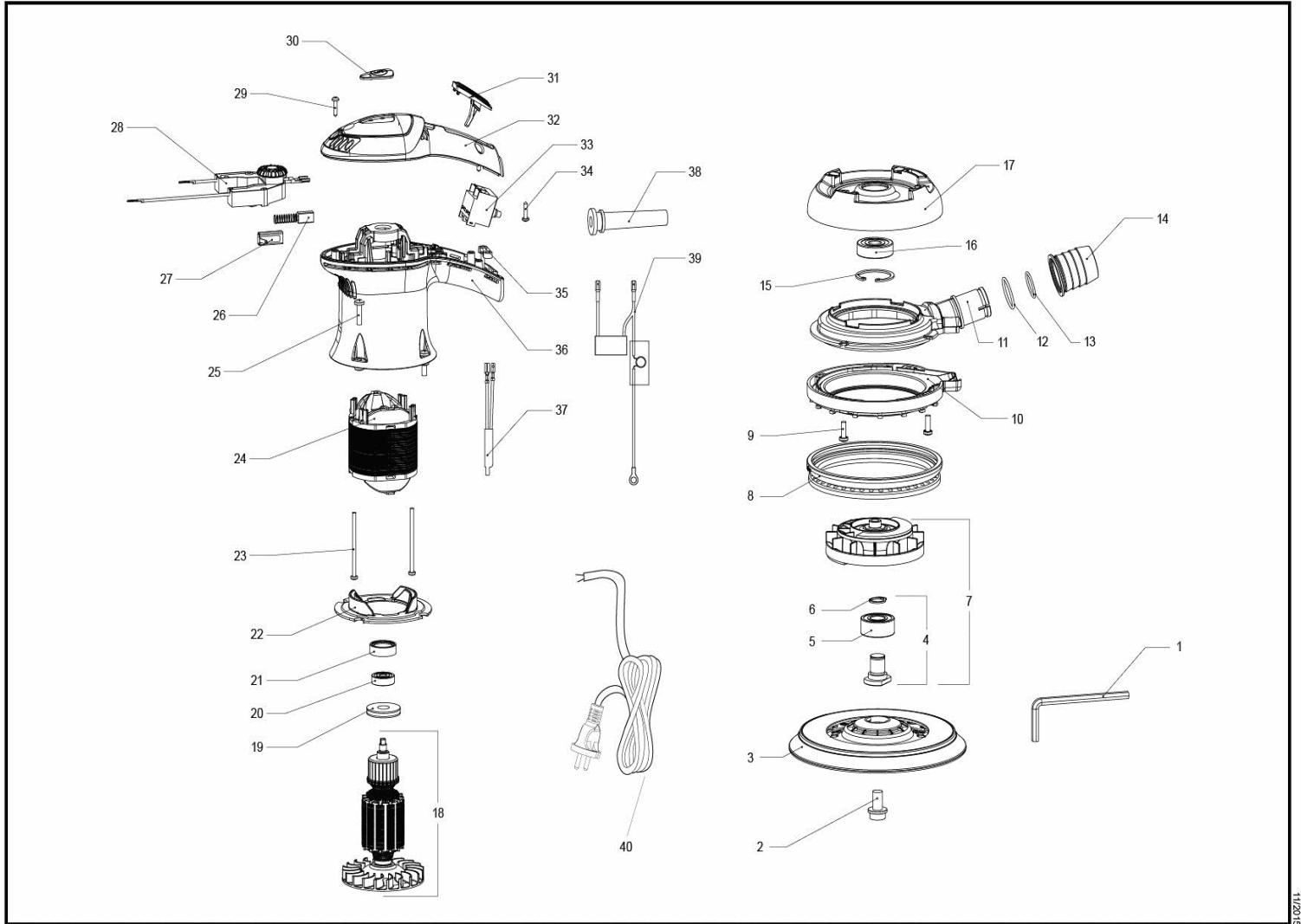


LEVIGATRICI ROTORBITALI CON ASPIRAZIONE  
RANDOM ORBITAL SANDERS WITH DUST EXTRACTION

ER155TES - ER153TES  
ER123TES - ER125TES



ID	ITEM	DESCRIPTION
001	9.1395	ALLEN SPANNER 5mm
002	9.715	SCREW M8 x 16 T.B. ZINC-PLATED WITH WASHER
003	981.340N/5	BOX 5pcs. Ø 150mm PAD VELCRO MULTIHOLEM8 HARD
003	980.015N/5	BOX 5pcs. Ø 125mm PAD VELCRO 8+8+1 HOLES M8 HARD
004	56.400N/C	THREADED PIN SET
005	9.189/10	BEARING 3001 12-28-12
006	9.102	SEEGER d 12 TIPO E DIN 471 CR3 PHOSPHATE
007	84.295N/C	TURBINE W/EXCENTRIC SET ORB.5 ER05TE
008	65.309	RUBBER RING
009	9.614	SCRE M4 x 12 T.C.C. d7,7 BRN 8.8
010	326.309	LOWER CONVEYOR ER155TE
011	327.309	UPPER CONVEYOR ER155TE
012	9.509	O-RING 2087
013	9.538	O-RING 18x1,5 NBR
014	663.033	FILLER CONNECTOR
015	9.127	SEEGER d 30 DIN 472 (inner)
016	9.42/10	BEARING NSK 6200 DDUCM J NS7SQ
017	32.309	BODY FLANGE
018	1.311/230/C	ROTOR (V.230-240)
019	405.309	MAGNETIC RING
020	9.196/10	BEARING 626DDMC3EU82 J NS7SJ
021	268.400	BEARING CAP
022	73.309	AIR BULKHEAD
023	9.666	SCREW 2,9x50 ( 4x2" ) T.C.C.
024	2.311/230	STATOR (V.230-240)
025	9.637	SCREW M4 x 16 T.C.C. 8G BURNISHED
026	47.309/10	BLISTER WITH 10 PC. BRUSHES LE-LS
027	46.265	BRUSH HOLDER LE21/LS21/ER03/ER05
028	400.309	ELECTRONIC MODULE
029	9.551	SCREW 2,9x13 ( 4x1/2" ) T.C.C.
030	43.309	PLATE "RUPES" ER155TE
031	38.309	SWITCH BUTTON
032	44.309	CAP
033	45.210	SWITCH
034	9.551	SCREW 2,9x13 ( 4x1/2" ) T.C.C.
035	442.55	CABLE CLAMP
036	31.309	ER155TE MOTOR BODY
037	77.265	INDUCTANCE + WIRES LE21/LS21
038	42.105	CABLE SLEEVE BA21-BR51
039	775.309	CABLAGGIO SOPPRESSORE
040	9C2X1,0N485FOR	CAVO 2x1 (spina Schuko d4,8) mt.5 H05RN-F con forchetta
040	9C2X1,0NGB4FOR	CABLE 2X1 (plug UK) with fork H07RN-F CENTRAL METAL PLUG
040	9C2X1,0R404FOR	CABLE 2X1 (plug D4) H07RN-F mt.4 with fork (only Swiss)
040	9C2X1,0NAU5FOR	CABLE 2X1 (plug Australia) H07RN-F mt.5