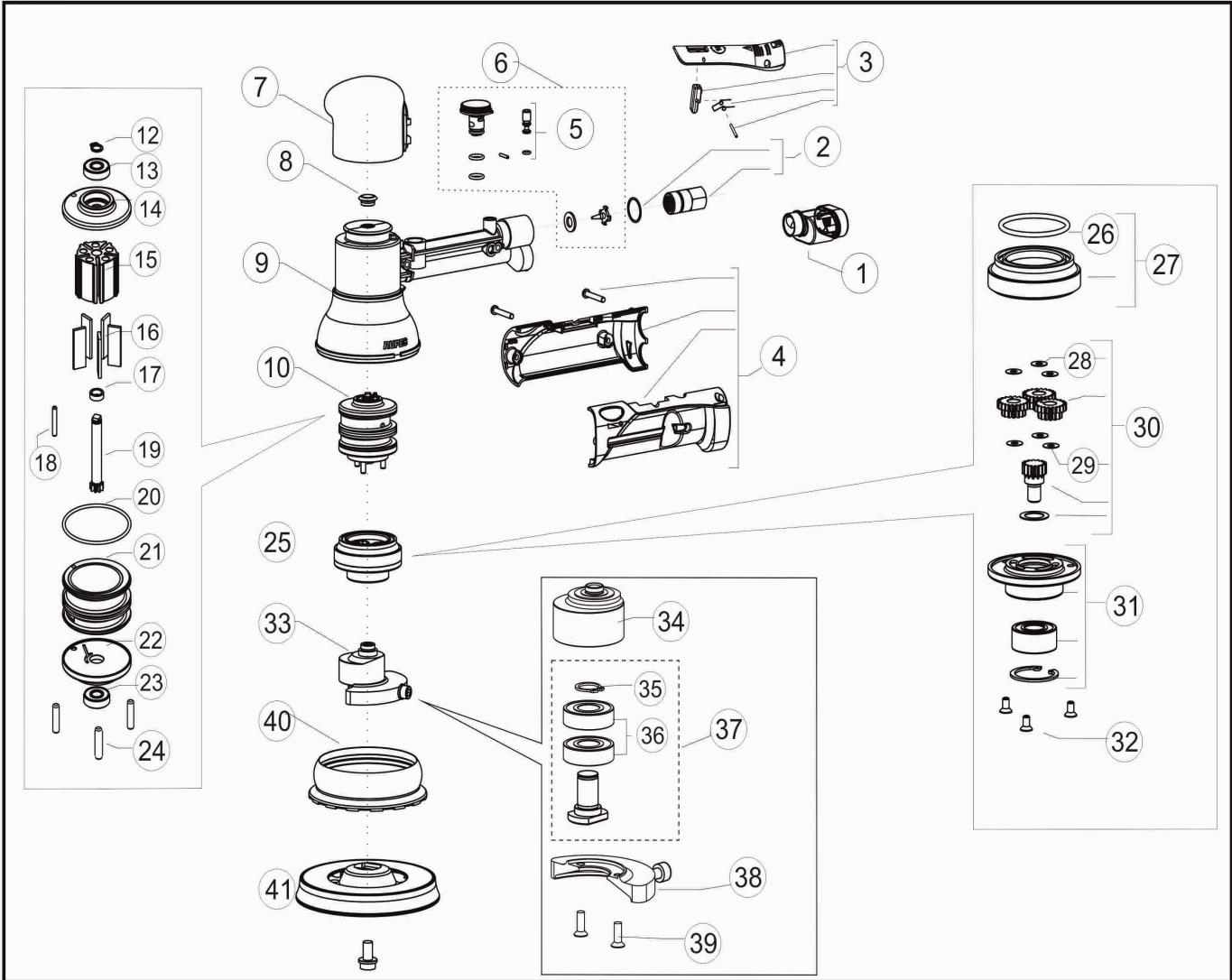


02/2020



RUPES

LUCIDATRICE TRIPLE ACTION
 TRIPLE ACTION POLISHER

LTA125

ID	ITEM	DESCRIPTION
001	19.196/C	SILENCER COMPLETE SET LTA
002	43.330/C	AIR ENTRY CONNECTOR
003	38.344/C	COMPLETE LEVER LTA 125
004	44.197/C	COMPLETE HANDLE+HEXAGONAL SPANNER
005	382.197/C	PIN VALVE LHR75
006	30.344/C	COMPLETE VALVE GROUP LTA
008	9.1820/10	TAPPO per foro Corpo Skorpio
009	31.344/C	CORPO MOTORE LTA 125
012	9.148	SEEGER FOR SHAFT 7mm
013	9.191	BEARING NSK 607 DDMC3E J NS7 (HOLE D.7-19-6)
018	9.4087	PLUG UNI 8734 - A3x22
019	51.344	ALBERO MOTORE Z9 H30 LHR12GP
020	9.2031	O-RING 2x46
023	9.191	BEARING NSK 607 DDMC3E J NS7 (HOLE D.7-19-6)
024	9.4086	CYLINDER PLUG DIN 6325 4x18
026	9.4055	O-RING 3156 NBR70
027	55.344/C	RING NUT WITH ORING LTA 125
028	9.395	STEEL WASHER d10 x 4,2 s 0,3 material c67
029	9.395	STEEL WASHER d10 x 4,2 s 0,3 material c67
030	53.344/C	COMPLETE GEAR SET LTA 125
031	551.344/C	GEAR HOUSING LTA 125
032	9.609	SCREW M4 x 8 T.S.P. BURNISHED
035	9.102	SEEGER d 12 TIPO E DIN 471 CR3 PHOSPHATE
036	9.182/10	BEARING 6001 DDWCM J NS75Z
037	56.245N/C	ECCENTRIC SHAFT ASSEMBLY
039	9.6150	SCREW M4 x 12 T.S.P. BURNISHED CI.88