



INSTRUCTIONS FOR:

FLOOR TRANSMISSION JACKS

Model No's: **1000E.V2 & 1500E.V2**

Thank you for purchasing a Sealey product. Manufactured to a high standard this product will, if used according to these instructions and properly maintained, give you years of trouble free performance.



IMPORTANT! ENSURE YOU READ AND UNDERSTAND THESE INSTRUCTIONS FULLY BEFORE ATTEMPTING TO USE THE JACK. NOTE THE SAFE OPERATIONAL REQUIREMENTS, DANGERS, WARNINGS & CAUTIONS. USE THE JACK CORRECTLY AND WITH CARE FOR THE PURPOSE FOR WHICH IT IS INTENDED. **WARNING!** FAILURE TO APPLY THESE INSTRUCTIONS MAY CAUSE DAMAGE, SERIOUS PERSONAL OR FATAL INJURY. FAILING TO FOLLOW INSTRUCTIONS WILL ALSO INVALIDATE YOUR WARRANTY. KEEP THESE INSTRUCTIONS SAFE FOR FUTURE USE.

NOTE: The use of symbols in this document is to attract your attention to possible danger. The symbols and warnings themselves do not eliminate any danger, nor are they substitutes for proper accident prevention measures.

1. SAFETY INSTRUCTIONS

- WARNING!** Ensure all preliminary checks are carefully carried out before use of jack. Immediately repair or replace damaged parts (use authorised service agent). Ensure use of *genuine parts only*. *Non authorised parts may be dangerous and will invalidate the warranty.*
- WARNING!** Use jack on level and solid ground, preferably concrete. Ensure the floor over which the jack will be transported is swept clean.
- DANGER! DO NOT use on tarmacadam, or any other soft surface as jack may sink or topple. Serious personal or fatal injury may result.**
- ✓ Use jack in an adequate working area for its function, keep area clean, tidy and free from unrelated materials. Ensure there is adequate lighting.
- ✓ Before use ensure the gearbox weight and size does not exceed the capacity of the jack.
- ✓ Ensure the vehicle is raised and stabilised at the correct height before attempting to move the jack under the vehicle.
- ✓ Keep all unauthorised persons away from the jack during lifting and lowering and when in transit.
- ✓ Maintain correct balance and footing. Ensure the floor is not slippery and wear non-slip shoes.
- ✓ Remove ill fitting clothing. Remove ties, watches, rings, and other loose jewellery, and contain and/or tie back long hair.
- WARNING!** Ensure load is placed level and centrally on jack saddle and load is fixed in place before attempting to lift, lower, or transport.
- ✓ The lowering speed will vary according to the weight of the load and the release valve setting.
- ✓ Ensure the jack saddle is fully lowered and is clean, dry, and oil free before attempting to transport the jack with or without a load.
- ✓ Fix load with support chains provided, **DO NOT** substitute an inferior form of restraint for the support chain.
- DO NOT** use jack without using the support chains.
- ✓ Diligence is required in ensuring that you continually monitor the operation until completed.
- ✓ Should the jack emit any abnormal sounds during use, **STOP** immediately and contact your local service agent.
- DANGER! If jack tips or leans STOP WHAT YOU ARE DOING. MOVE QUICKLY TO A SAFE DISTANCE. DO NOT TRY TO HOLD OR STEADY JACK. Serious personal or fatal injury may result.**
- WARNING! DO NOT operate jack if any parts are damaged or missing .**
- DO NOT** exceed the rated capacity of the jack.
- DO NOT** allow untrained persons to operate the jack.
- DO NOT** place any part of your body within or under the jack during use.
- DO NOT** raise or lower vehicle lifting platform whilst the transmission jack is being used.
- DO NOT** transport the jack, with or without a load, with the saddle in the raised position.
- DO NOT** get jack wet or use in damp or wet locations or areas where there is condensation.
- DO NOT** operate the jack when you are tired, under the influence of alcohol, drugs or intoxicating medication.
- DO NOT** lift or support vehicles with jack, or use jack as a load sustaining device.
- DO NOT** use jack for any purpose other than removal, transportation and installation of transmissions.
- DO NOT** make any modifications to the jack, and **DO NOT** adjust or tamper with the safety valve.
- DO NOT** remove any labels from the jack. If labels are damaged or unclear replace them.
- ✓ Use a qualified person to lubricate and maintain the jack. **DO NOT** use brake fluid to top up hydraulic unit. Use Sealey hydraulic oil only.
- ✓ Before storing in a safe, dry area, ensure all parts are clean, free of grease and oil (especially saddle). Lower saddle to the lowest position.

2. INTRODUCTION & SPECIFICATIONS

Heavy-duty models supplied with chain for safe loading. Precision valve allows delicate adjustment when taking out gearbox and realigning during replacement. Four castors for extra manoeuvrability in confined spaces. Fully adjustable saddle with forward, backward and sideways tilt.

Model: 1000E.V2

Rated capacity: 1000kg
 Minimum saddle height: 180mm
 Maximum saddle height: 885mm
 Saddle tilt - forward: 25°
 Saddle tilt - backward: 22°
 Saddle tilt - sideways: 12°
 Chassis width / length: 650/1080mm
 Weight: 130kg

Model: 1500E.V2

Rated capacity: 1500kg
 Minimum saddle height: 215mm
 Maximum saddle height: 950mm
 Saddle tilt - forward: 10°
 Saddle tilt - backward: 15°
 Saddle tilt - sideways: 9°
 Chassis width / length: 655/1100mm
 Weight: 132kg

3. PRE-USE CHECK LIST

3.1. **IMPORTANT:** Before *EACH* use, check that the jack is in sound working order, use following list to form a habitual pre-check procedure. Check items are not: *damaged, broken, cracked, bent, malfunctioning, distorted, worn, loose, leaking, dirty, noisy or missing, or that there is any damage to the welds.*

- | | | |
|----------------------------|-------------------------------------|---------------------------------|
| 1... .Saddle attachments | 6... .Cylinder/Hydraulic unit | 10... .Jack main frame |
| 2... .Saddle base | 7... .Stopper rings and cotter pins | 11... .Pump handle |
| 3... .Saddle tilt controls | 8... .All nuts and bolts | 12... .Swivel caster wheels |
| 4... .Tilt mechanism | 9... .All seals | 13... .Ring chain, hooks & pins |
| 5... .Piston rod | | |

WARNING! DO NOT use jack if any suspect part is found, or if believed to have been subjected to abnormal load or shock. Immediately remove from service and contact your authorised service agent.

3.2. **IMPORTANT:** Before using the jack for the first time, purge the hydraulic circuit in order to eliminate any air that may have accumulated in the system during transit, as follows:

- 3.2.1. Open the release valve by turning the knob anti-clockwise.
 3.2.2. Pump the jack handle up and down 15 to 20 times.
 3.2.3. Turn the release valve clockwise to close it.



1000E.V2



1500E.V2

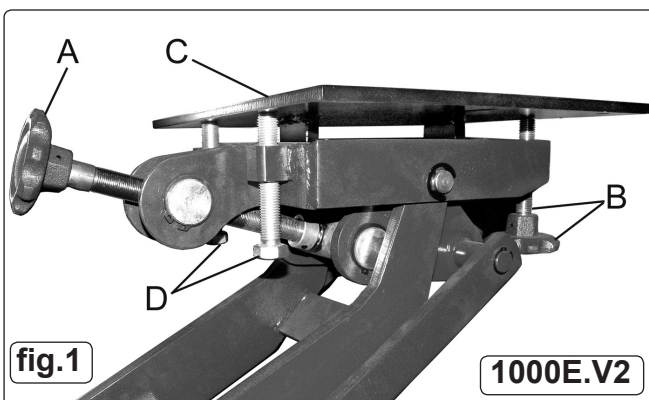


fig.1

1000E.V2

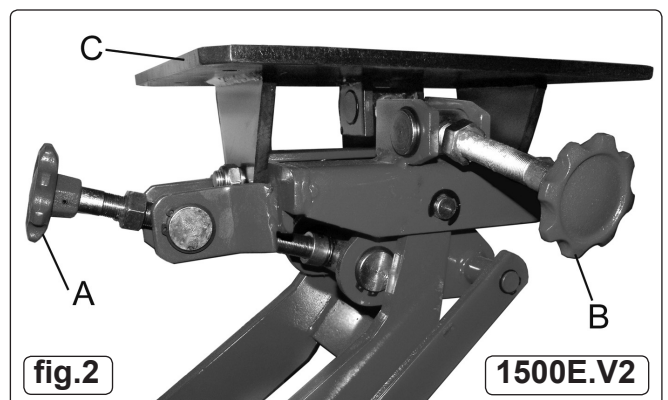


fig.2

1500E.V2

4. OPERATING INSTRUCTIONS

4.1. SADDLE TILT MECHANISM.

Adjusting the pitch and tilt of the saddle will assist in safely supporting and transporting the gearbox. The saddle (figs.1 & 2.C) may be tilted forwards and backwards by turning adjuster (figs.1 & 2.A) and tilted to the left or right by turning adjuster (fig.2.B) for model 1500E.V2, or the adjusters and bolts (fig.1.B & D) for model 1000E.V2.

- WARNING! Before use, ensure you have read, understood and apply Section 1 safety instructions.**
 WARNING! Ensure that the vehicle is prepared correctly before attempting to use the Transmission Jack.

4.2. POSITIONING THE JACK BENEATH LOAD.

Before use, check to ensure that the transmission's weight and size do not exceed the capacities of the jack.

- 4.2.1. Ensure that the vehicle from which the transmission is to be removed is correctly positioned, raised and locked on an appropriate lift system.
- 4.2.2. Ensure that there are no other persons around or under the vehicle.
- 4.2.3. Ensure saddle is in its lowest position, and use the handle to transport and centrally position jack beneath the vehicle's transmission.
- 4.2.4. Close the jack release valve by turning the knob clockwise.
- 4.2.5. Pump the jack handle up and down repeatedly to raise the saddle.
- 4.2.6. When the saddle is just beneath the transmission, re-adjust the alignment if necessary, to centralise the saddle.
- 4.2.7. Adjust the tilt adjusters (see 4.1.above) if required for final positioning of the saddle.
- 4.2.8. Raise the saddle further to support the transmission. Remove the transmission from the vehicle.
- 4.2.9. Position and attach the safety chains correctly for further security.
- 4.2.10. Ensure that the load is secure before proceeding to lower it.

4.3. LOWERING THE LOAD.

- WARNING!** Ensure the load is central and stable on the jack saddle before attempting to lower the load. **SLOWLY** turn the release valve knob anti-clockwise to **GENTLY** lower the saddle to the minimum height before attempting to transport the load.
- * **IMPORTANT:** Speed of lowering is controlled by the release valve. The further the valve knob is turned, the more rapid the jack's descent. Ensure the jack's descent is slow and controlled to avoid the risk of sudden dropping which could be very dangerous.

4.4. TRANSPORTING THE LOAD.

- 4.4.1. Ensure that the jack saddle is fully lowered, if required, use another support chain to secure the load, ensuring that they are all pulled taut and engaged into the slots on the saddle. Tighten all the nuts.
- 4.4.2. Transport the load over level and solid ground, preferably concrete, and ensure the floor is swept clean beforehand.
- 4.4.3. Be diligent by continually monitoring the load in transit. Keep all other persons at a safe distance.
- ▲ **DANGER! DO NOT use on tarmac, or any soft surface as jack may sink or topple. Serious personal or fatal injury may result.**
- ▲ **DANGER! If the jack tips or leans, STOP WHAT YOU ARE DOING. MOVE QUICKLY TO A SAFE DISTANCE. DO NOT TRY TO HOLD OR STEADY THE JACK. Serious personal or fatal injury may result.**

4.5. RE-INSTALLING A GEARBOX.

- 4.5.1. Manoeuvre the jack and load to reposition beneath the vehicle, raise the load up, reversing the procedures outlined above.

5. MAINTENANCE

IMPORTANT: Only fully qualified personnel should attempt any maintenance or repair.

- 5.1. When the jack is not in use, the saddle must be at its lowest position - to minimise ram and piston corrosion. Turn the handle back to its storage position for safety.
- 5.2. Keep the jack clean and wipe off any excess oil or grease, lubricate all moving parts with oil, and grease tilt mechanism regularly.
- 5.3. The oil tank is a sealed unit and must not be accessed. For a service, contact your authorised dealer.
- WARNING! Only use a good quality jack oil, such as SEALEY HYDRAULIC JACK OIL, DO NOT use brake fluid.**
- 5.4. Before each use, check list to ensure components are not damaged, broken, cracked, bent, malfunctioning, distorted, worn, loose, leaking, dirty, noisy or that parts are missing or that there is any visible damage to welds, (see Section 3.1). If any suspect item is found, remove the jack from service and take necessary action to remedy the problem.
DO NOT use the jack if believed to have been subjected to an abnormal load or shock. Inspect it and take appropriate action.
- 5.5. Periodically check the pump piston and piston rod for signs of corrosion. Clean exposed areas with a clean oiled cloth.

IMPORTANT: NO RESPONSIBILITY IS ACCEPTED FOR INCORRECT USE OF THE MACHINE.

Hydraulic products are only repaired by local service agents. We have service/repair agents in all parts of the UK.

DO NOT RETURN JACKS TO US. Please telephone 01284 757500 to obtain the address and telephone number of your local agent. If Jack is under guarantee please contact your dealer.

De-commissioning the jack: Should the jack become completely unserviceable and require disposal, draw off any oil into an approved container and dispose of the jack and the oil according to local regulations.

6. TROUBLESHOOTING

IMPORTANT! Although the following may identify a problem, in most cases the problem must be resolved by your authorised service agent.

PROBLEM	CAUSE	SOLUTION
Jack will not lift	No hydraulic oil or defective suction valve or delivery valve. Release valve is open.	Contact authorised service agent. Close release valve.
Jack will only lift halfway	Hydraulic oil level is low or excessive of hydraulic oil.	Contact authorised service agent.
Raised load will not hold	Defective valves or defective piston packing.	Contact authorised service agent.
Poor lifting	Defective plunger packing.	Contact authorised service agent.
Saddle tilt knob too tight	Nuts and bolts may be bent or rusted.	Check, clean, oil or replace items.

Parts support is available for this product.

To obtain a parts listing and/or diagram, please log on to www.sealey.co.uk,
email sales@sealey.co.uk or phone 01284 757500.

NOTE: It is our policy to continually improve products and as such we reserve the right to alter data, specifications and component parts without prior notice.

IMPORTANT: No liability is accepted for incorrect use of this product.

WARRANTY: Guarantee is 12 months from purchase date, proof of which will be required for any claim.

INFORMATION: For a copy of our latest catalogue and promotions call us on 01284 757525 and leave your full name and address, including postcode.



	Sole UK Distributor, Sealey Group, Kempson Way, Suffolk Business Park, Bury St. Edmunds, Suffolk, IP32 7AR	01284 757500	www.sealey.co.uk
		01284 703534	sales@sealey.co.uk