

Item #	Tightening torque	Dir.	Glue / comment
1-42	90 ft.lb - 120 N.m	↻	
18 - 42	3.5 ft.lb - 5 N.m		
44 - 32	15 ft.lb - 20 N.m		
82 - 32	1.75 ft.lb - 2.5 N.m		Loctite 243

Item No.	Part No.	Description	Q'ty
12	6157440340	Strainer	1
41	6156562275	Gasket	1
60	6154001560	Liner	1
62	6154340675	Blades (set of 6)	1
91	6156400950	Washer	1
92	6155830850	Driver	1
96	6155830830	Cage	1
97	6155830840	Cam	1
98	6155830820	Hammer	1
104	6155830860	Cover	1
105	6152510010	Anvil	1
105L	6152510240	Anvil Spline #5 (Including Kit : K)	1
Not shown	6158717060	"Made In" Label	1
Not Shown	6153982750	Name Plate	1
<b>A</b>	<b>6153982660</b>	<b>CLUTCH HOUSING KIT</b>	
113		Clutch Housing	1
114		Bushing	1
115		O ring	1
118		O ring	1
44		Screw	4
46		Lock Washer	4
<b>B</b>	<b>6153982670</b>	<b>MOTOR HOUSING KIT</b>	
26		Reverse Valve Bushing	1
30		Washer	1
32		Motor Housing	1
64		Pin	1
<b>C</b>	<b>6153982680</b>	<b>ROTOR KIT</b>	
61		Rotor	1
63		Plug (Set of 6)	1
<b>D</b>	<b>6153982690</b>	<b>END PLATE KIT</b>	
65		End Plate	1
67	6157530900	Bearing	1
57		Key	1
<b>E</b>	<b>6153982700</b>	<b>REVERSE KIT</b>	
24		O ring	1
27		Reverse Valve Lever	1
38		O ring	1
50		Ball	1
51		Spring	1
<b>F</b>	<b>6153983570</b>	<b>EXHAUST PLATE KIT</b>	
85		Exhaust plate	1
82		Screw	4

Item No.	Part No.	Description	Q'ty
<b>G</b>	<b>6153982710</b>	<b>HANDLE KIT</b>	
42		D handle	1
44		Screw	4
46		Lock Washer	4
<b>H</b>	<b>6153982720</b>	<b>GOVERNANCE KIT</b>	
7		O ring	1
9		Valve Bushing	1
10		Throttle Seat	1
<b>I</b>	<b>6153982730</b>	<b>THROTTLE VALVE KIT</b>	
3		Spring	1
4		O ring	1
5		Throttle Valve	1
6		Throttle Valve Stem	1
<b>J</b>	<b>6153982740</b>	<b>INLET KIT</b>	
1		Air Inlet Bushing NPT 1/2"	1
2		Screen	1
24		O ring	1
<b>K</b>	<b>6152510250</b>	<b>SOCKET RETAINER KIT</b>	
106L		Spring	1
107L		Lock Ring	1
108L		Knob	1
<b>L</b>	<b>6153982760</b>	<b>TRIGGER KIT</b>	
14		Trigger Inside	1
15		Retainer Pin	1
16		Stop Pin	1
Not shown		Trigger Outside	1
<b>M</b>	<b>6153982770</b>	<b>SIDE HANDLE KIT</b>	
150	6155760830	Side Handle	1
152		Screw	4
153		Lock Washer	4
155		Side Handle Support	1
<b>N</b>	<b>6153982780</b>	<b>SCREW KIT</b>	
44		Screw	8
46		Lock Washer	8
152		Screw	4
153		Lock Washer	4
<b>O</b>	<b>6153982810</b>	<b>SMALL PARTS KIT</b>	
		Incl. Index No. 15, 16, 17, 18, 19, 22, 50, 51, 57, 64	
<b>P</b>	<b>6153982790</b>	<b>TUNE UP KIT</b>	
		Incl. Index No. 2, 4, 7, 19, 24 (x2), 38, 41, 62, 95, 108, 115, 118	

	2050559423	Operator's Manual
	6158717050	Warning Label Impact
	6159948710	Safety Instructions

### Recommended accessories

**Pneu-lube Clutch Grease**  
(for clutch lubrication)  
8940158455 (3.5 oz. - 100g)  
8940158456 (14 oz. - 400g)



**Protecto-lube Oil**  
(to clean motor parts)  
CA149661 (4 oz - 0.12 l)  
CA000046 (20 oz - 0.59 l)

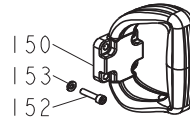


**Airoilene Oil**  
(for air lubrication)  
P089507 (1 gal - 3.8 l)

**Retaining Rings**  
C134693 (2 7/8" - 73mm)  
C134694 (3 3/8" - 86mm)  
C134695 (3 7/8" - 98mm)  
C134696 (4 3/8" - 111mm)

**Accessories Included**

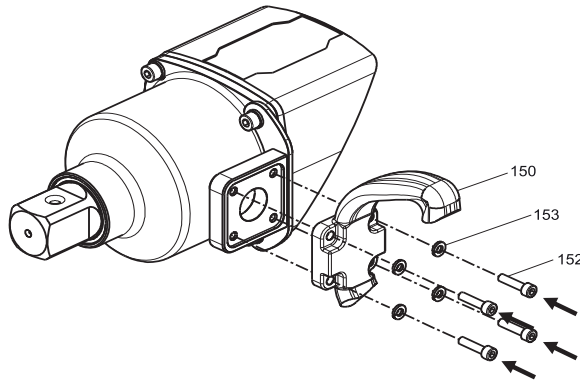

Trigger Outside


**Suspension Plate With Washer**  
2050560443


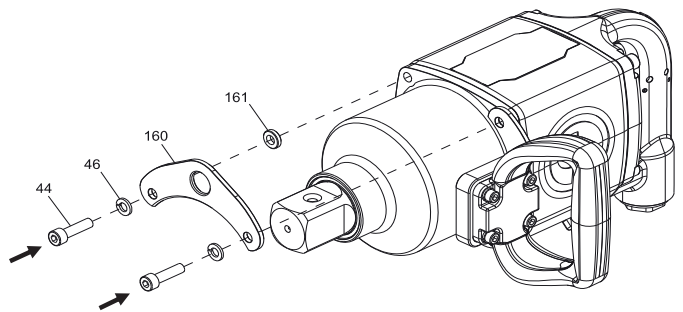
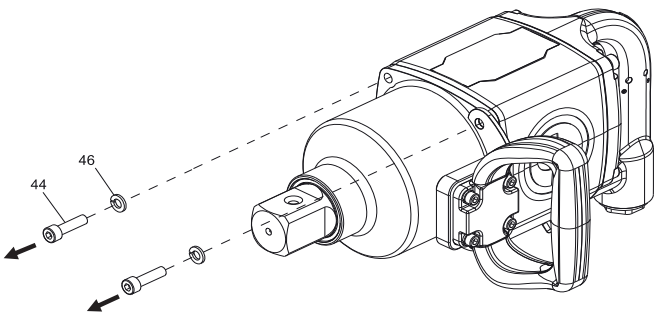
150	Side Handle	1
152	Screw	4
153	Lock Washer	4

**Side Handle Assembly Instructions**

Index No	Description	Qty	Dir. / Tightening torque
150	Side Handle	1	
152	Screw	4	⌚ 9 ft.lb - 12 N.m
153	Lock Washer	4	


**Suspension Plate Assembly Instructions**

Index No	Description	Qty	Dir. / Tightening torque
44	Screw	2	⌚ 15 ft.lb - 20 N.m
46	Lock Washer	2	
160	Suspension Plate	1	
161	Attached Washer	1	


**Trigger Replacement Instructions**

Index No	Description	Qty
13	Trigger Outside	1
14	Trigger Inside	1
15	Retainer Pin	1
17	Trigger Cover	1

