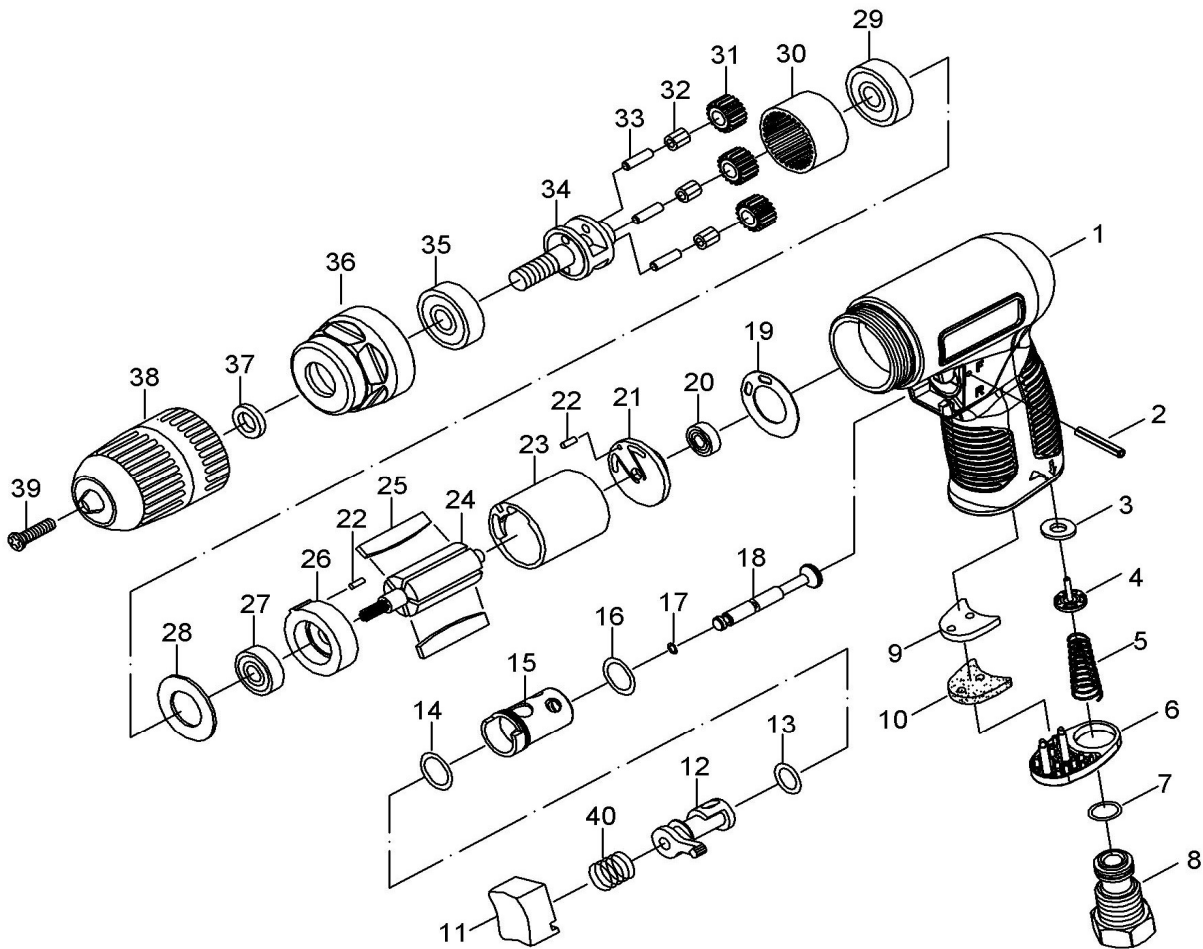


UT2815-R 3/8" AIR REVERSIBLE DRILL



| NO | UT no | PARTS NO | DESCRIPTION | Q'TY | NO | UT no | PARTS NO | DESCRIPTION | Q'TY |
|----|-----------|-----------|-----------------|------|----|-----------|----------|--------------------|------|
| 1 | 2815-R-1 | ST31301 | HOUSING | 1 | 21 | 2815-R-21 | ST21313 | REAR PLATE | 1 |
| 2 | 2815-R-2 | 20303 | PIN(2.5*24) | 1 | 22 | 2815-R-22 | 70018 | PIN(2.5*6) | 2 |
| 3 | 2815-R-3 | ST288316 | WASHER | 1 | 23 | 2815-R-23 | ST21315 | CYLINDER | 1 |
| 4 | 2815-R-4 | ST288315 | VALVE | 1 | 24 | 2815-R-24 | 21316 | ROTOR | 1 |
| 5 | 2815-R-5 | ST31305 | SPRING | 1 | 25 | 2815-R-25 | 21317 | ROTOR BLADE | 5 |
| 6 | 2815-R-6 | ST31306 | EXHAUST SLEEVE | 1 | 26 | 2815-R-26 | ST21319 | FRONT PLATE | 1 |
| 7 | 2815-R-7 | ST31307 | O-RING (S12.5) | 1 | 27 | 2815-R-27 | 21024 | BEARING | 1 |
| 8 | 2815-R-8 | ST31308-2 | AIR INLET (BSP) | 1 | 28 | 2815-R-28 | ST31328 | WASHER | 1 |
| 9 | 2815-R-9 | ST31309 | WASHER | 1 | 29 | 2815-R-29 | OB-31 | BEARING | 1 |
| 10 | 2815-R-10 | ST31310 | SILENCER | 1 | 30 | 2815-R-30 | ST31330 | GEAR LINK | 1 |
| 11 | 2815-R-11 | 20310 | TRIGGER | 1 | 31 | 2815-R-31 | ST24527A | GEAR | 3 |
| 12 | 2815-R-12 | DL20309 | REVERSE LEVER | 1 | 32 | 2815-R-32 | ST165052 | NEEDLE BEARING | 3 |
| 13 | 2815-R-13 | 50331 | O-RING | 1 | 33 | 2815-R-33 | 70028 | PIN | 3 |
| 14 | 2815-R-14 | ST31314 | O-RING (17*1) | 1 | 34 | 2815-R-34 | 21326C | GEAR PLATE | 1 |
| 15 | 2815-R-15 | ST31315 | BUSHING | 1 | 35 | 2815-R-35 | 24531A | BEARING | 1 |
| 16 | 2815-R-16 | ST25103 | O-RING | 1 | 36 | 2815-R-36 | ST31336 | CLAMP NUT | 1 |
| 17 | 2815-R-17 | OB-04 | O-RING | 1 | 37 | 2815-R-37 | 21329 | WASHER | 1 |
| 18 | 2815-R-18 | ST31318 | VALVE STEM | 1 | 38 | 2815-R-38 | 24534.1 | 3/8" JACOB KEYLESS | 1 |
| 19 | 2815-R-19 | 21638 | PACKING | 1 | 39 | 2815-R-39 | 21331 | CHUCK SCREW | 1 |
| 20 | 2815-R-20 | 20312 | BEARING | 1 | 40 | 2815-R-40 | 20305 | SPRING | 1 |