

CP8609 eBlueTork Series

Battery torque wrench

> SPECIFICATIONS - REFERENCES



Reaction bar		Blade Standard reaction blade (included)		Cup Standard for spring loaded cup or Japanese type cup (cup not included)		Extended Cup Extended for spring loaded cup or Japanese type cup (cup not included)	
Version	Trigger number	Model name	Part number	Model name	Part number	Model name	Part number
Stand alone	Trigger + safety button	CP8609-B	6151570500	CP8609-C	6151570730	CP8609-xC	6151570780
	1 trigger	CP8609-BT	6151570440	CP8609-CT	6151570560	CP8609-xCT	6151570620
Connected	Trigger + safety button	CP8609C-B	6151570510	CP8609C-C	6151570740	CP8609C-xC	6151570790
	1 trigger	CP8609C-BT	6151570450	CP8609C-CT	6151570570	CP8609C-xCT	6151570630
Connected Quality	Trigger + safety button	CP8609CQ-B	6151570520	CP8609CQ-C	6151570750	CP8609CQ-xC	6151570800
	1 trigger	CP8609CQ-BT	6151570460	CP8609CQ-CT	6151570580	CP8609CQ-xCT	6151570640
Torque Check	Trigger + safety button	CP8609TC-B	6151570530	CP8609TC-C	6151570760	CP8609TC-xC	6151570810
	1 trigger	CP8609TC-BT	6151570470	CP8609TC-CT	6151570590	CP8609TC-xCT	6151570650

Specifications			
Square drive (in.)	1"	1"	1"
Accuracy (6 sigma)*	+/- 4%	+/- 4%	+/- 4%
Min/Max torque (Nm)	300 - 900	300 - 900	300 - 900
Min/Max torque (ft.lbs)	220 - 665	220 - 665	220 - 665
Nominal working torque (Nm)	390 - 720	390 - 720	390 - 720
Nominal working torque (ft.lbs)	293 - 532	293 - 532	293 - 532
Max speed all torque (rpm)	15	15	15
Weight - battery, reaction arm included (kg)	7.1	8.1 (with standard cup) 7.8 (with Japanese type cup)	9.3 (with standard cup) 9.0 (with Japanese type cup)
Weight - battery, reaction arm included (lbs)	15.6	17.8 (with standard cup) 17.2 (with Japanese type cup)	20.6 (with standard cup) 19.9 (with Japanese type cup)
Sound pressure (dB(A))	62	62	62
Vibration (m/s ²)	<2.5	<2.5	<2.5
Number of cycles by battery	500	500	500

*Based on hard joint 15° at nominal torque

> ACCESSORIES



Model name	Spring loaded cup	Japanese type cup	Suspension yoke	Battery 36V	Charger Universal 18-36V	CP86 Series protective cover
Part number	8940164622	8940167401	8940166654	8940176068	8940176069	6152112130

Specification

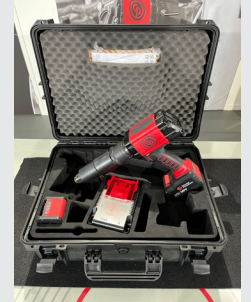
Li-ion, 36V 2.5Ah

18/36V 2.5Ah

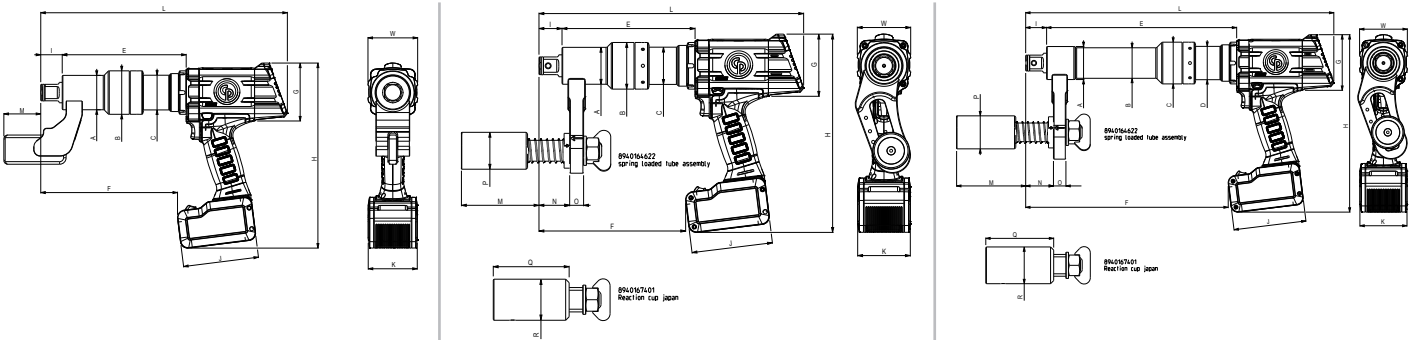
ADDITIONAL INFORMATION

		Stand alone	C - Connected	CQ - Connected Quality	TC - Torque Check
All models					
Performance	Digital OLED display	✓	✓	✓	✓
	Automatic release reaction arm	✓	✓	✓	✓
	Torque control	✓	✓	✓	✓
Safety	Double safety button (second start safety trigger)	✓	✓	✓	✓
	Tool lock & finder		✓	✓	✓
Connectivity	CPLinQ application		✓	✓	✓
Tool maintenance	Tool status follow-up management		✓	✓	✓
	Operation alert		✓	✓	✓
	Maintenance timeline		✓	✓	✓
Job control	Angle control		✓	✓	✓
	P-Set library		✓	✓	✓
	Counting sequence P-Set torque or angle			✓	✓
Report	Counting sequence report			✓	✓
	Application report			✓	✓
Process control	Torque Check				✓
	Counting sequence P-Set Torque Check				✓
	Torque Check report				✓

- ✓ Delivered with:
 - 2 batteries
 - 1 charger
 - 1 power cord
 - 1 manual
- ✓ Calibration certificate included
- ✓ Plastic case



DIMENSIONS



Blade models		Cup models														Extended Cup models		
--------------	--	------------	--	--	--	--	--	--	--	--	--	--	--	--	--	---------------------	--	--

		A	B	C	D	E	F	G	I	J	K	M	N	O	P	Q	R	Height (H)	Length (L)	Width (W)
Blade models	(mm)	53	67	54	-	191	211	89	33	116	76	57	-	-	-	-	-	285	380	77
	(in.)	2.09	2.64	2.13	-	7.52	8.31	3.50	1.30	4.57	2.99	2.24	-	-	-	-	-	11.22	14.96	3.03
Cup models	(mm)	53	67	54	-	191	211	89	33	116	76	111	44	20	53	109	58	285	380	77
	(in.)	2.09	2.64	2.13	-	7.52	8.31	3.50	1.30	4.57	2.99	4.37	1.73	0.79	2.09	4.29	2.28	11.22	14.96	3.03
Extended Cup models	(mm)	53	49	67	54	305	325	89	34	116	76	111	45	20	53	109	59	285	495	77
	(in.)	2.09	1.93	2.64	2.13	12.01	12.80	3.50	1.34	4.57	2.99	4.37	1.77	0.79	2.09	4.29	2.32	11.22	19.49	3.03



For more information, please contact your CP partner:

Use only authorized parts. Any damage or malfunction caused by the use of unauthorized parts is not covered by Warranty or Product Liability.